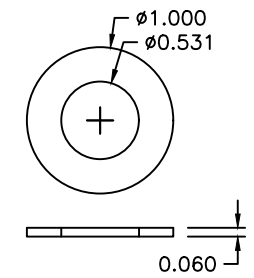
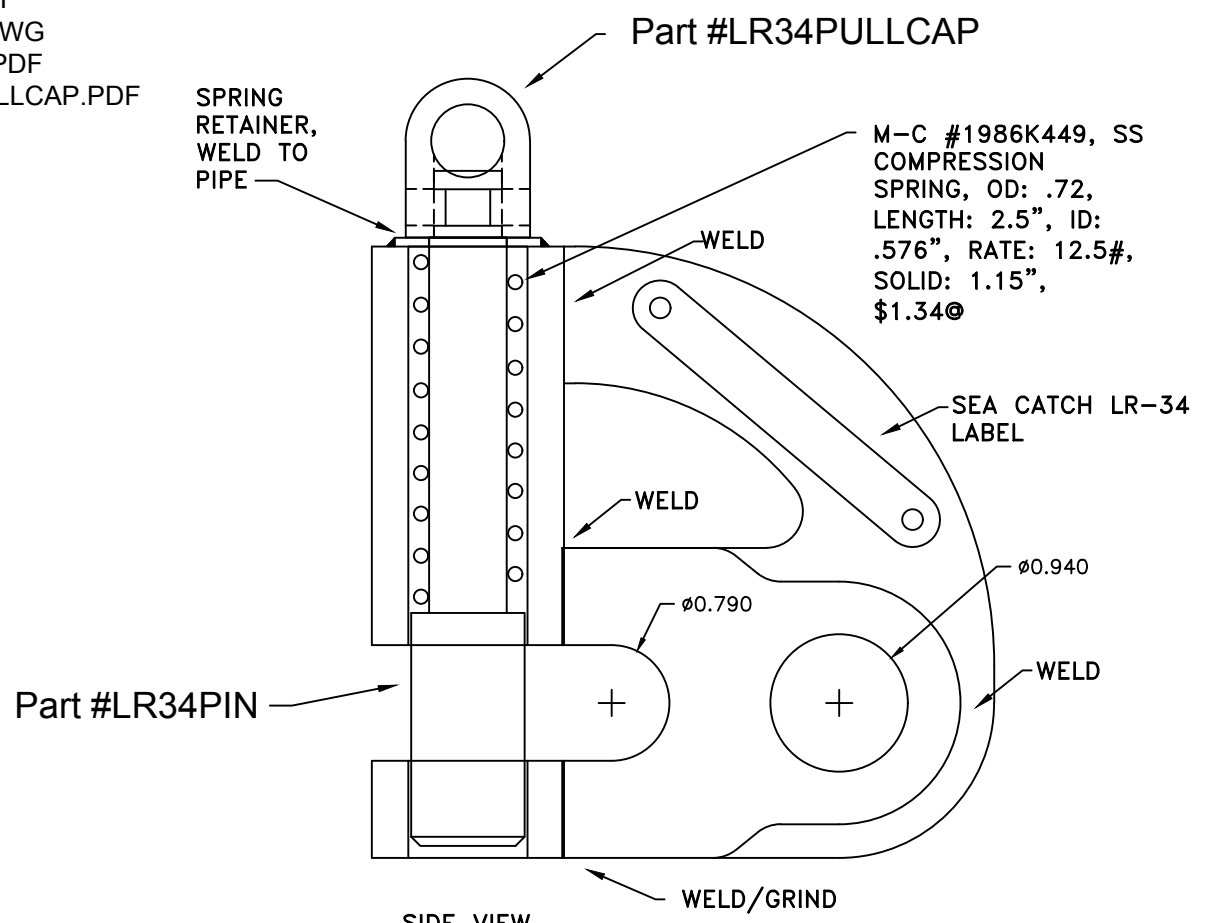
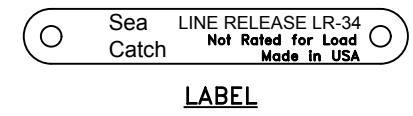
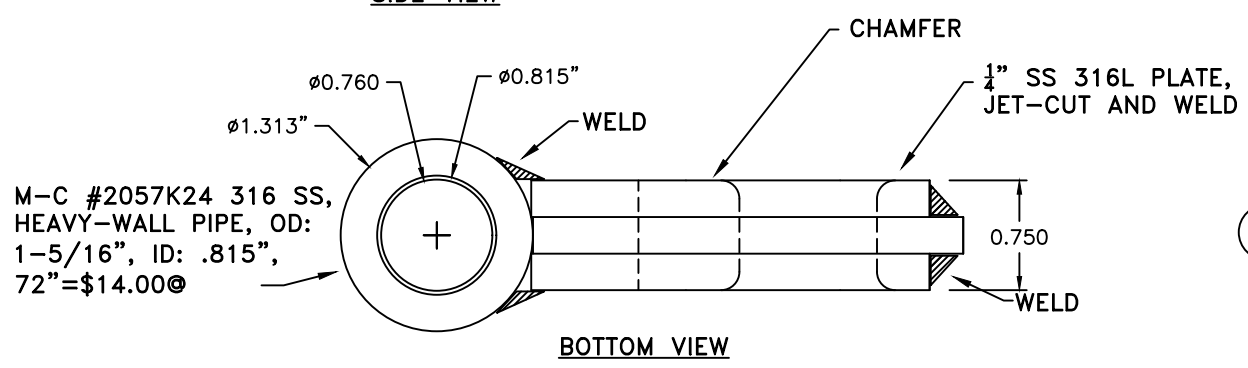


THIS DWG: SC-LR34.DWG
 THIS DWG: SC-LR34.PDF
 WJ FILE: SC-LR34-WJ.DWG
 PIN FILE: SC-LR34-PIN.PDF
 CAP FILE: SC-LR-34-PULLCAP.PDF

NOTES:
 -NO HEAT TREATMENT
 REQUIRED.
 -PRECUT 2 PIECES OF PIPE, JIG
 FOR ALIGNMENT AND WELD.



**SPRING
 RETAINER**
 M-C #91525A334 SS
 WASHER, ID: .531",
 OD: 1", THICK:
 .06-.09" \$0.12@



SEA CATCH

**McMillan
 DESIGN, INC.**
 9816 Jacobsen Lane
 Gig Harbor, WA 98332 USA
 Tel (253) 858-1985
 Fax (253) 858-1986

LINE RELEASE LR-34

SCALE: NTS	DRAWN BY JHM	
DATE: 03-05-19	REVISED: 03-22-19	
		DRAWING NO. 032219A