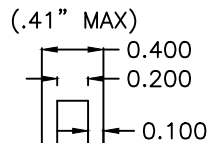
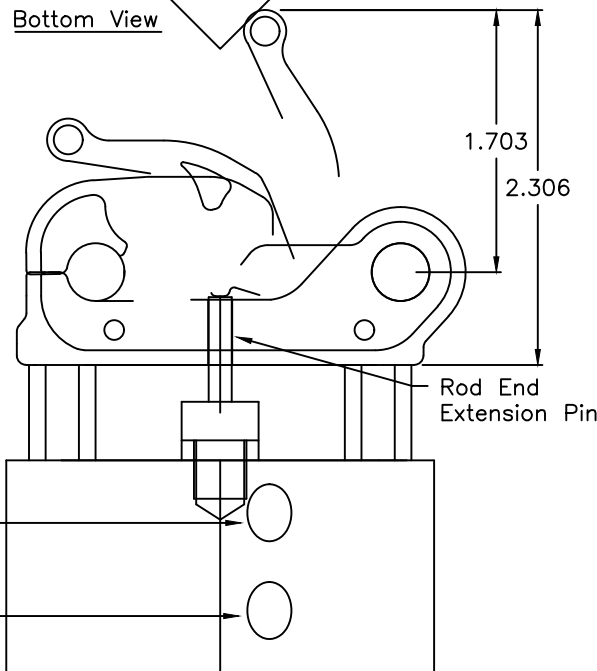


Rod End Extension Pin



Grind base of center plate to square. Insert fully extended pin into hole. Weld nuts to center plate. nut to center plate.

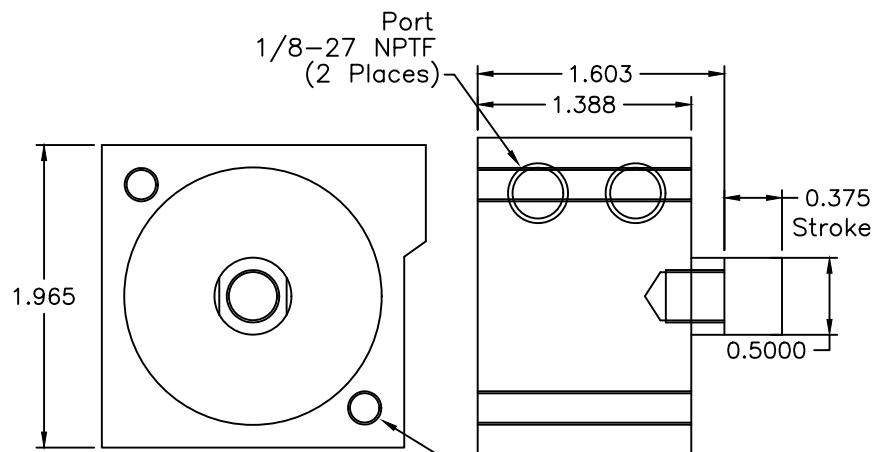


Outlet Port: to be fitted with plastic cap drilled with small hole to allow air escape.

Inlet Port: to be fitted with 1/8-27 NPTF air fitting with preferred hose connection.

End View

Sea Catch TR3AIR Assembly



Rod End 5/16-24 Tap x 3/8" (Min) Dp.

Mounting Hole #10-24 Thru Hole Located on 2.052" Dia (2 per End)

Nason Air Cylinder P/N LS 07777

100 PSI = 230# Thrust

Stroke = 3/8"

AIR VOLUME: .768 cu in

Cylinder configuration may change from that shown.

SPECS:

MATERIALS: 15-5PH STAINLESS PLATE

UNIT WT: 1 LB

RECOMMENDED SHACKLE: SIZE 1/4" EACH END

BREAKLOAD: 6,510 LBS

SWL: 1,302 LBS

Mounting bolts: 2@ #10-24 x 1-1/2" Length
18-8 SS Rnd Hd Phillips, M-C #91773A251

McMillan
DESIGN, INC

9816 Jacobsen Lane
Gig Harbor, WA 98332

Tel: 253-858-1985

Fax: 253-858-1986

Email: jmcmillan@seacatch.com
Website: www.seacatch.com

Sea Catch TR3AIR

SCALE: NTS

DRAWN BY JHM

DATE: 12-25-98

REVISED: 06/19/19

© 2019 JOHN McMILLAN

DRAWING NO. 061919A

CONFIDENTIAL: THIS DESCRIPTION OR DRAWING CONTAINS PROPRIETARY INFORMATION OF JOHN MCMILLAN AND IS LOANED FOR USE ONLY IN EVALUATING OR BUILDING AN INVENTION OF JOHN MCMILLAN AND MUST BE RETURNED UPON DEMAND. BY ACCEPTANCE HEREOF, RECIPIENT AGREES TO ALL OF THE ABOVE CONDITIONS. © 2019 JOHN MCMILLAN 9816 JACOBSEN LANE, GIG HARBOR, WA 98332