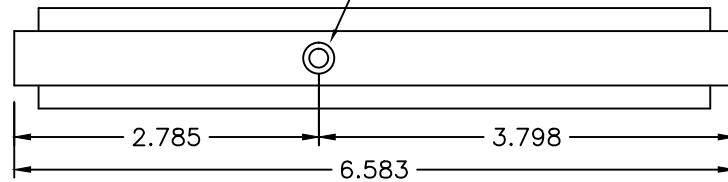
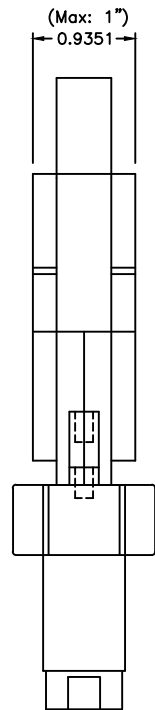


Drill 11/64" Dia hole thru plate center  
 Drill 5/16" (.312") Dia hole .67 Dp.

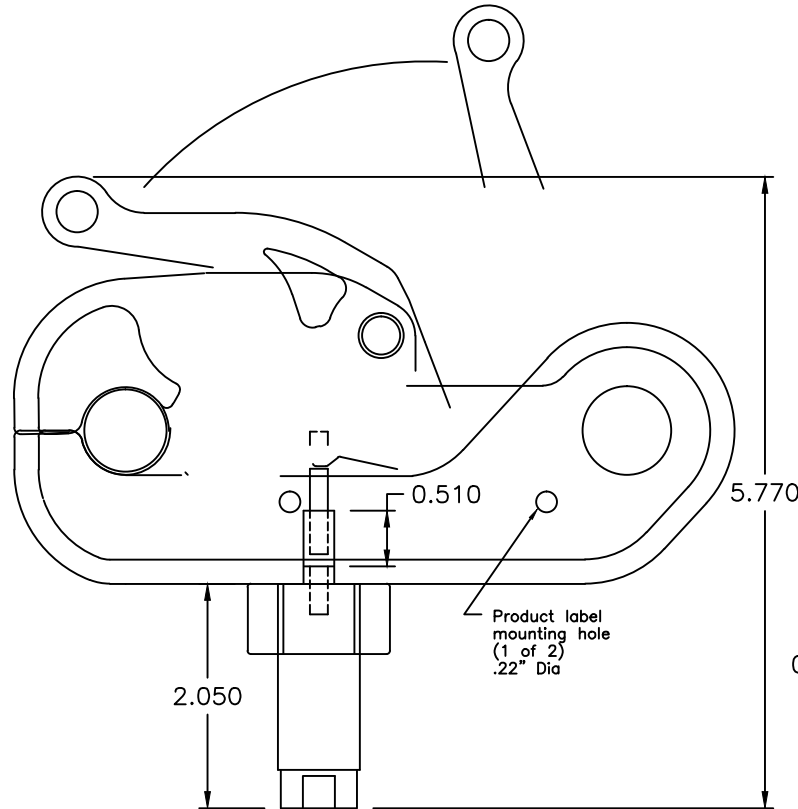
Materials: Heat treated 15-5PH SS plate  
 Unit weight: approx 4 lbs  
 Recommended shackle each end: 5/8"  
 Breakload: 35,210 lbs  
 SWL: 7,042 lbs



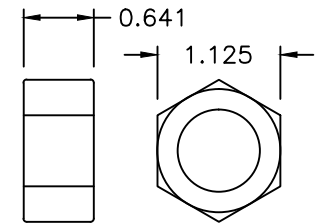
BOTTOM VIEW



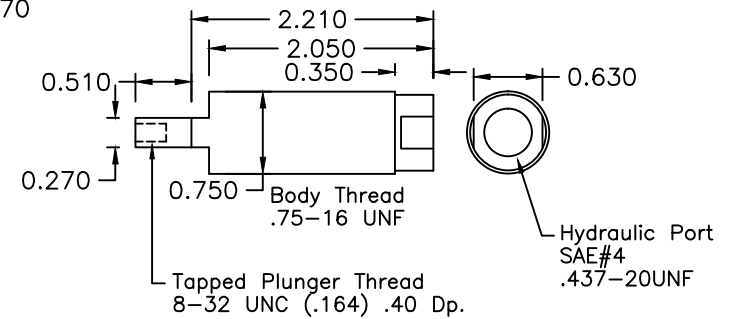
Assembly End View



Assembly Side View



SS HEX NUT  
 .75-16UNF  
 (M-C#91845A175)



ENERPAC CST4131 Hydraulic Single-acting Cylinder

Stainless steel body, plunger and stop ring  
 Thrust = 980# @ 5,000 psi  
 OIL CAPACITY: .10 cu in

RECOMMENDED SHACKLE: SIZE 5/8" EACH END

**McMillan**  
 DESIGN, INC.

9816 Jacobsen Lane  
 Gig Harbor, WA 98332 USA  
 Tel (253) 858-1985  
 Fax (253) 858-1986  
 Email: jmcmillan@seacatch.com

Sea Catch TR7RAM

SCALE: NTS

DRAWN BY JHM

DATE: 12-09-98

REVISED: 11/18/10

DRAWING NO. 111810A

CONFIDENTIAL: THIS DESCRIPTION OR DRAWING CONTAINS PROPRIETARY INFORMATION OF JOHN MCMILLAN AND IS LOANED FOR USE ONLY IN EVALUATING OR BUILDING AN INVENTION OF JOHN MCMILLAN AND MUST BE RETURNED UPON DEMAND. BY ACCEPTANCE HEREOF, RECIPIENT AGREES TO ALL OF THE ABOVE CONDITIONS. © 2010 JOHN MCMILLAN 9816 JACOBSEN LANE, GIG HARBOR, WA 98332