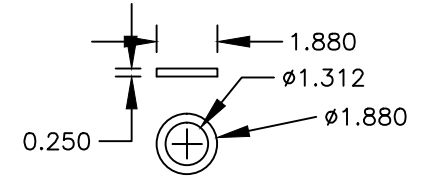
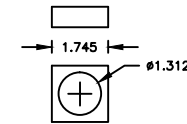


**THREADED STUD
FOR PIN SECUREMENT**

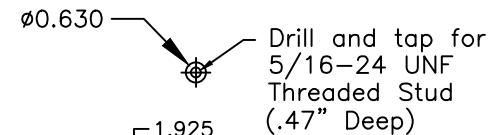
Utilize .940" cut from
a 5/16-24 UNF x 2" 18-8 SS
Threaded SS Stud
(M-C#95412A609)



ENERPAC JAM NUT FN-331

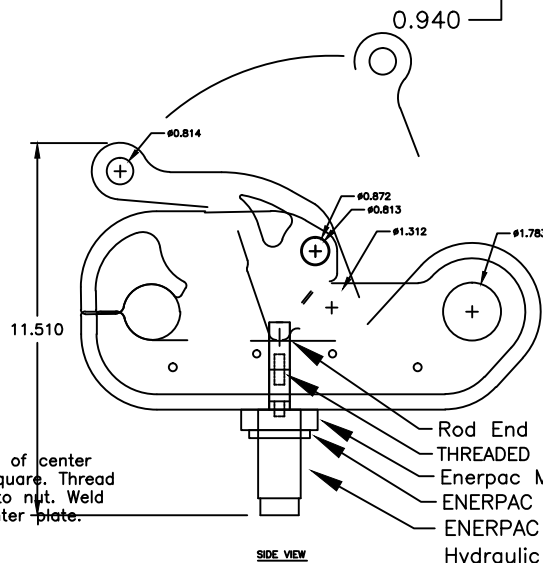
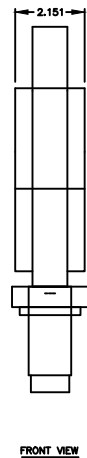


ENERPAC Mounting Flange AW-39



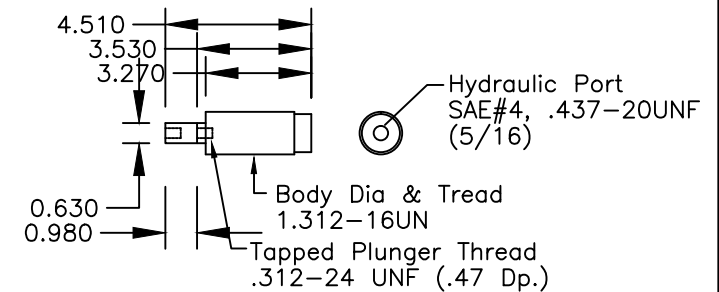
TR12RAM PIN

Recommended Material:
17-4 or 15-5 Stainless Steel Rnd Stock
Heat treated to Rockwell 45-48 range



Grind base of center
plate to square. Thread
cylinder into nut. Weld
nut to center plate.

- Rod End Extension Pin
- THREADED STUD
- ENERpac Mounting Flange AW-39
- ENERPAC JAM NUT FN-331
- ENERPAC TS-18251ST
- Hydraulic Cylinder



ENERPAC CST18251 Hydraulic Cylinder

Thrust: 3950# @ 5000 PSI
OIL CAPACITY: .76 cu in

Unit Breakload: 82.15 tons
Unit SWL: 16.43 tons
Unit Weight: 42 lbs
Recommended connecting shackle size: 1-1/2"
Material: 15-5 PH Stainless Plate

RECOMMENDED SHACKLE: SIZE 1-1/2" EACH END

**McMillan
DESIGN, INC.**

9816 Jacobsen Lane
Gig Harbor, WA 98332
Tel: 253-858-1985
Fax: 253-858-1986
Email: jmcmillan@seacatch.com
Website: www.seacatch.com

Sea Catch TR12RAM

SCALE: NTS DRAWN BY JHM

DATE: 10-08-98 REVISED: 11-24-08

© 2012 JOHN McMILLAN DRAWING NO. 112408A

CONFIDENTIAL: THIS DESCRIPTION OR DRAWING CONTAINS PROPRIETARY INFORMATION OF JOHN MCMILLAN AND IS LOANED FOR USE ONLY IN EVALUATING OR BUILDING AN INVENTION OF JOHN MCMILLAN AND MUST BE RETURNED UPON DEMAND. BY ACCEPTANCE HEREOF, RECIPIENT AGREES TO ALL OF THE ABOVE CONDITIONS. © 2012 JOHN MCMILLAN 9816 JACOBSEN LANE, GIG HARBOR, WA 98332