

Sea Catch OFF-LOAD HOOK OLH15

...designed to safely lower a load and automatically release the load upon reaching the seabed or other supportive surface.

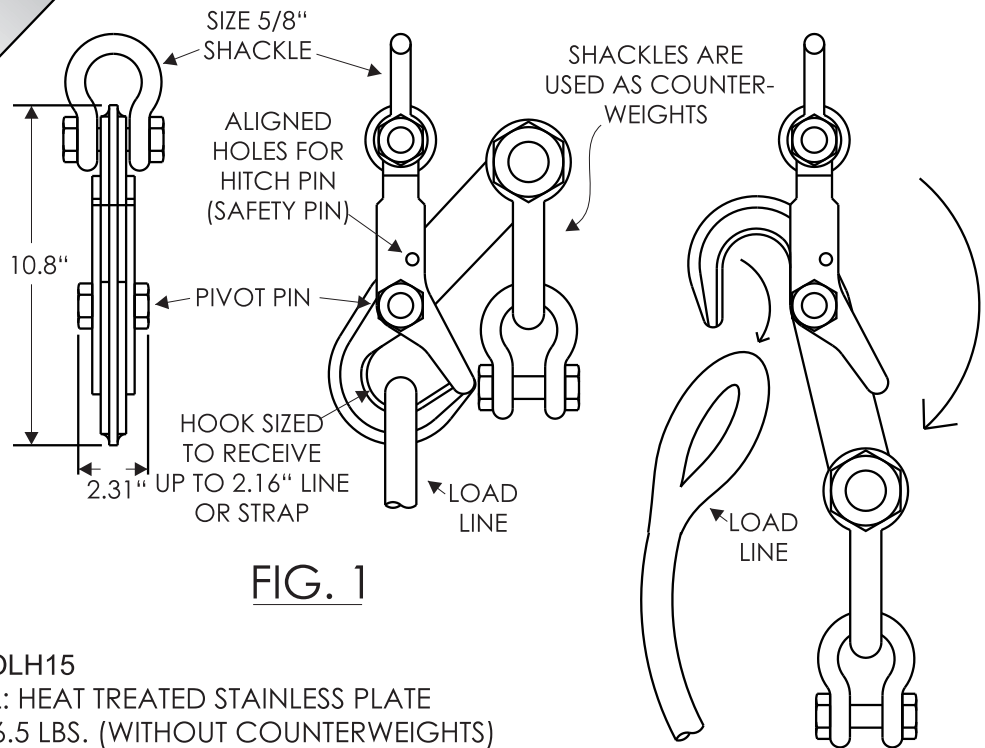
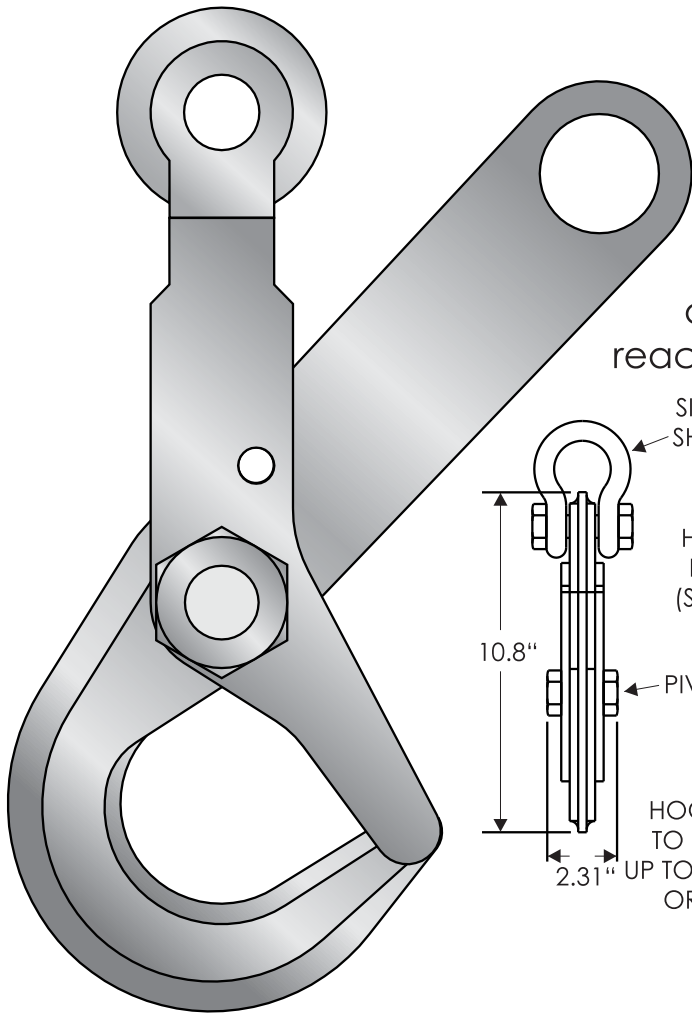


FIG. 1

MODEL: OLH15
 MATERIAL: HEAT TREATED STAINLESS PLATE
 WEIGHT: 6.5 LBS. (WITHOUT COUNTERWEIGHTS)
 BREAKLOAD: 33,069 LBS. (15 TONS)
 CAPACITY (SWL): 6,614 LBS. (3 TONS)

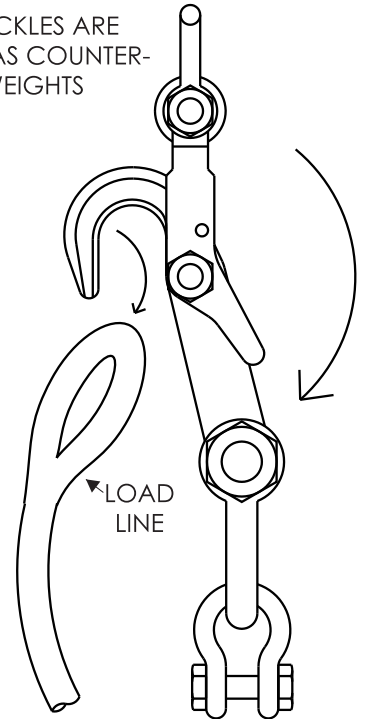


FIG. 2

OPERATION: FIG. 1 shows the Sea Catch OLH15 with a pivoting hook sized to receive up to 2.16 inch (5.48 cm) diameter load line or strap. Aligned holes are provided as shown to lock both hook parts with a hitch pin in order to prevent premature opening of hook. Counterweight hole is sized to receive up to size 1" shackle or any heavy object whose weight exceeds that of the load line or strap without a load. The OLH15 is secured to a size 5/8" lifting shackle as shown and the load is deployed. Once the load is safely suspended, the hitch pin is removed and the load is slowly lowered. Once its weight is transferred from the hook to the seabed or other supportive surface, the counterweighted hook rotates on the pivot pin as shown in FIG. 2, thereby releasing the load line. The hook is then lifted and recovered. Stainless steel hitch pin is provided. Shackles are not provided.

RECOMMENDED TEST: With the full weight of the load line on the hook, the weight of the counterweight should be sufficient to fully rotate the hook and release the load line.

DISCLAIMERS: This device must not be used in high seas when the hook may be subjected to extreme load fluctuations or encounter a zero load condition. Excessive current, side loading, and irregular bottom conditions may adversely affect the intended function of the device. Causing the hook to prematurely encounter a zero load condition may cause hook to inadvertently release the load and cause harm to persons and/or property.

SHACKLE SIZE AND WEIGHT:	
1"-----	6.12 LBS (2.77 KGS)
7/8"-----	4 LBS (1.81 KGS)
3/4"-----	2.72 LBS (1.23 KGS)

Contact your dealer or:

McMillan
 DESIGN, INC.
 9816 Jacobsen Lane
 Gig Harbor, WA 98332 USA

Tel: (253) 858-1985
 Fax: (253) 858-1986
 Email: jmcmillan@seacatch.com
 Web: www.seacatch.com
 OLH15© 2007 McMillan Design, Inc.