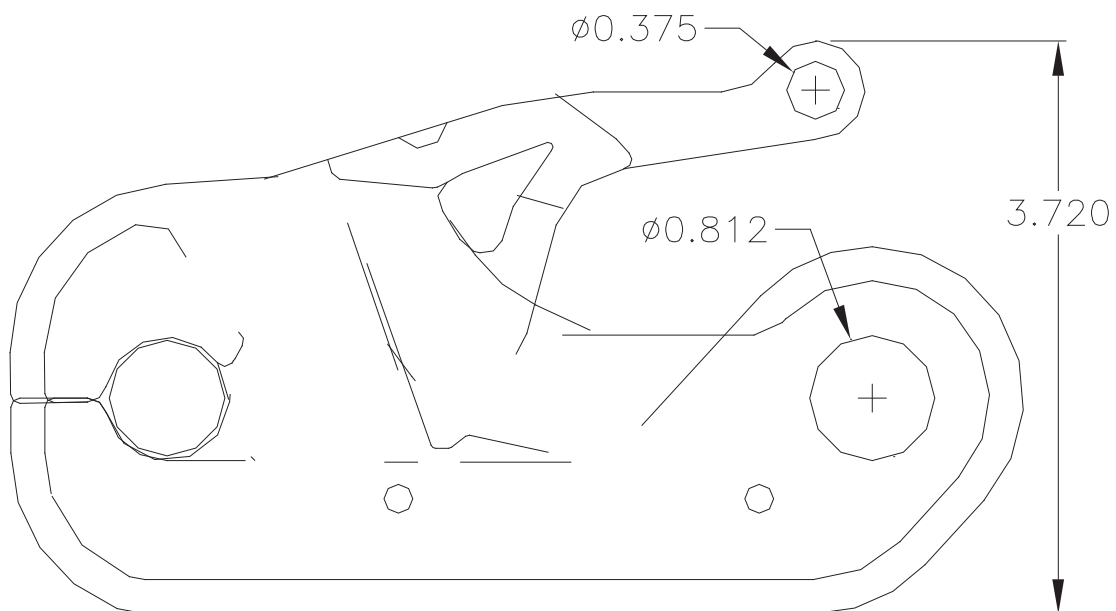


BOTTOM VIEW



Unit Breakload: 17.61 tons
 Unit SWL: 3.52 tons
 Material: Stainless Steel
 Unit Weight: 4 lbs
 Recommended shackle: $\frac{5}{8}$ "

CONFIDENTIAL: THIS DESCRIPTION OR DRAWING CONTAINS PROPRIETARY INFORMATION OF JOHN MCMILLAN AND IS LOANED FOR USE ONLY IN EVALUATING OR BUILDING AN INVENTION OF JOHN MCMILLAN AND MUST BE RETURNED UPON DEMAND. BY ACCEPTANCE HEREOF, RECIPIENT AGREES TO ALL OF THE ABOVE CONDITIONS. © 2011 JOHN MCMILLAN 9816 JACOBSEN LANE, GIG HARBOR, WA 98332

MCMillan
 DESIGN, INC.
 9816 Jacobsen Lane
 Gig Harbor, WA 98332 USA
 Tel (253) 858-1985
 Fax (253) 858-1986
 Email: seacatch@compuserve.com

Sea Catch TR7RL

SCALE: NTS

DRAWN BY JHM

DATE: 12-09-98

REVISED: 02/10/11

DRAWING NO. 021011A