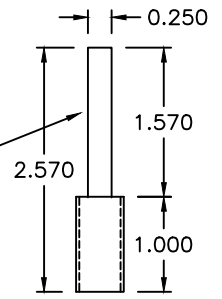
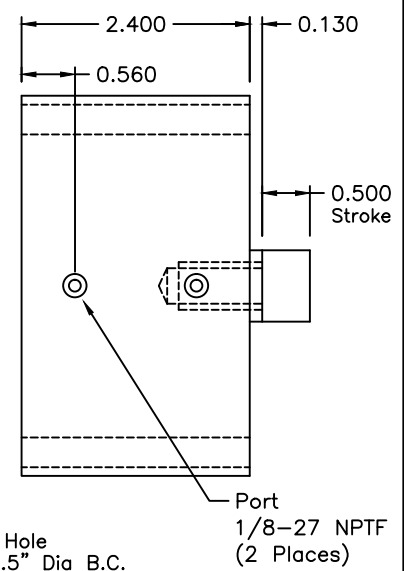
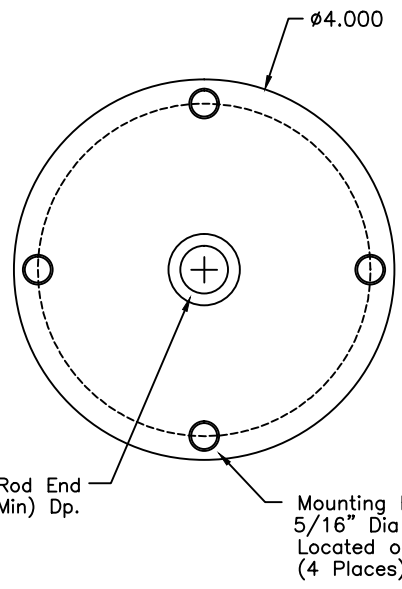
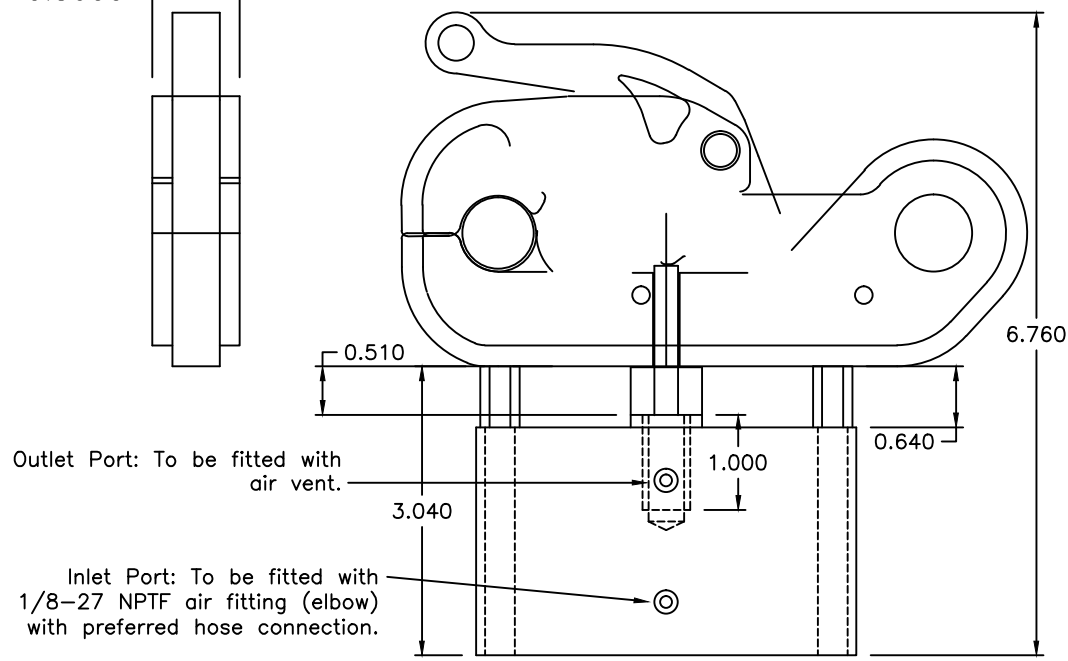


Hex key, 1/4 (M-C#7122A49) cut to length, press fit into set screw.



Socket set screw 18-8 SS  
 1/2"-13 (M-C#923111A706)

Rod End Extension Pin



End View

Sea Catch TR7AIR Assembly

**SPECS:**  
 MATERIAL: 15-5PH STAINLESS PLATE  
 UNIT WT: 4 LBS  
 RECOMMENDED SHACKLE: SIZE 5/8" EACH END  
 BREAKLOAD: 35,210 LBS  
 SWL: 7,042 LBS

Nason Air Cylinder P/N CH-30X050MTR\*

100 PSI = 700# Thrust  
 Stroke = 1/2"  
 AIR VOLUME: 3.54 cu in

\*or comparable cylinder

Mounting Bolts: 2@ 5/16"-18 x 3" Length  
 18-8 SS Rnd Hd Phillips, M-C #91773A595

**McMillan**  
**DESIGN, INC.**  
 9816 Jacobsen Lane  
 Gig Harbor, WA 98332 USA  
 Tel (253) 858-1985  
 Fax (253) 858-1986  
 Email: jmcmillan@seacatch.com

Sea Catch TR7AIR

CONFIDENTIAL: THIS DESCRIPTION OR DRAWING CONTAINS PROPRIETARY INFORMATION OF JOHN MCMILLAN AND IS LOANED FOR USE ONLY IN EVALUATING OR BUILDING AN INVENTION OF JOHN MCMILLAN AND MUST BE RETURNED UPON DEMAND. BY ACCEPTANCE HEREOF, RECIPIENT AGREES TO ALL OF THE ABOVE CONDITIONS. © 2005 JOHN MCMILLAN 9816 JACOBSEN LANE, GIG HARBOR, WA 98332

|                |  |                   |                    |
|----------------|--|-------------------|--------------------|
| SCALE: NTS     |  | DRAWN BY JHM      |                    |
| DATE: 12-09-98 |  | REVISED: 10/11/12 |                    |
|                |  |                   | DRAWING NO. 10112B |