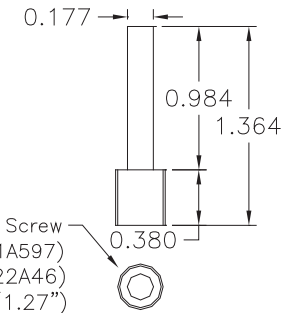
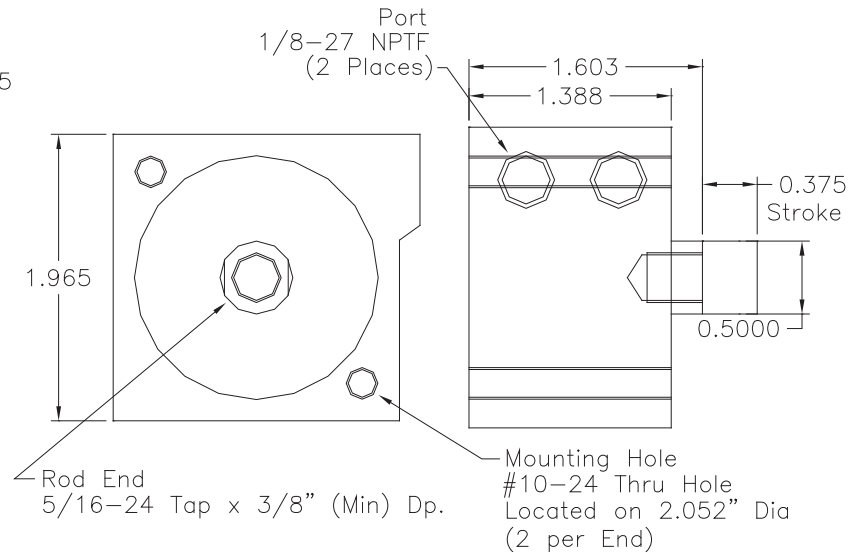


5/16-24 X 3/8 SS Socket Set Screw (M-C #92311A597) with hex key pin (M-C# 7122A46) cut to length (1.27")



Rod End Extension Pin



Nason Air Cylinder P/N LS 07777

100 PSI = 100# Thrust
Stroke = 3/8"

Cylinder configuration may change from that shown.

Sea Catch TR5AIR Assembly

Dimensions in inches

Mounting bolts: 2@ #10-24 x 1-1/2" Length
18-8 SS Rnd Hd Phillips, M-C #91773A251

McMillan
DESIGN, INC.

9816 Jacobsen Lane
Gig Harbor, WA 98332
Tel: 253-858-1985
Fax: 253-858-1986

Website: www.seacatch.com

Sea Catch TR5AIR

SCALE: NTS

DRAWN BY JHM

DATE: 12-25-98

REVISED: 10/11/12

© 2012 JOHN McMILLAN

DRAWING NO. 101112A

CONFIDENTIAL: THIS DESCRIPTION OR DRAWING CONTAINS PROPRIETARY INFORMATION OF JOHN MCMILLAN AND IS LOANED FOR USE ONLY IN EVALUATING OR BUILDING AN INVENTION OF JOHN MCMILLAN AND MUST BE RETURNED UPON DEMAND. BY ACCEPTANCE HEREOF, RECIPIENT AGREES TO ALL OF THE ABOVE CONDITIONS. © 2012 JOHN MCMILLAN 9816 JACOBSEN LANE, GIG HARBOR, WA 98332