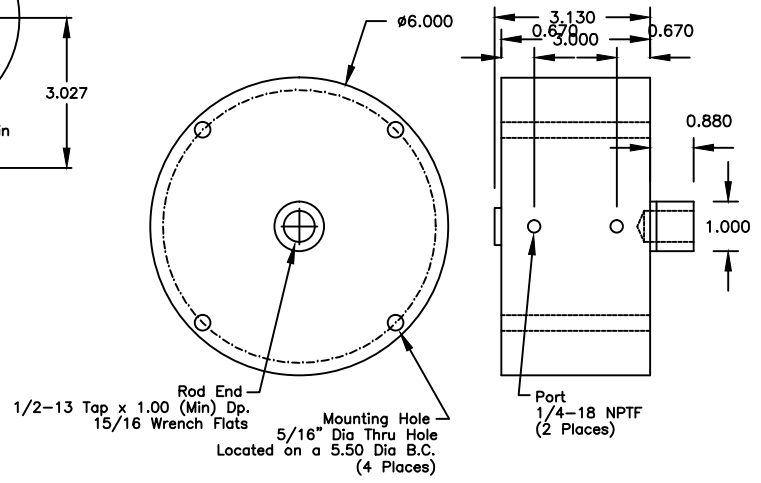
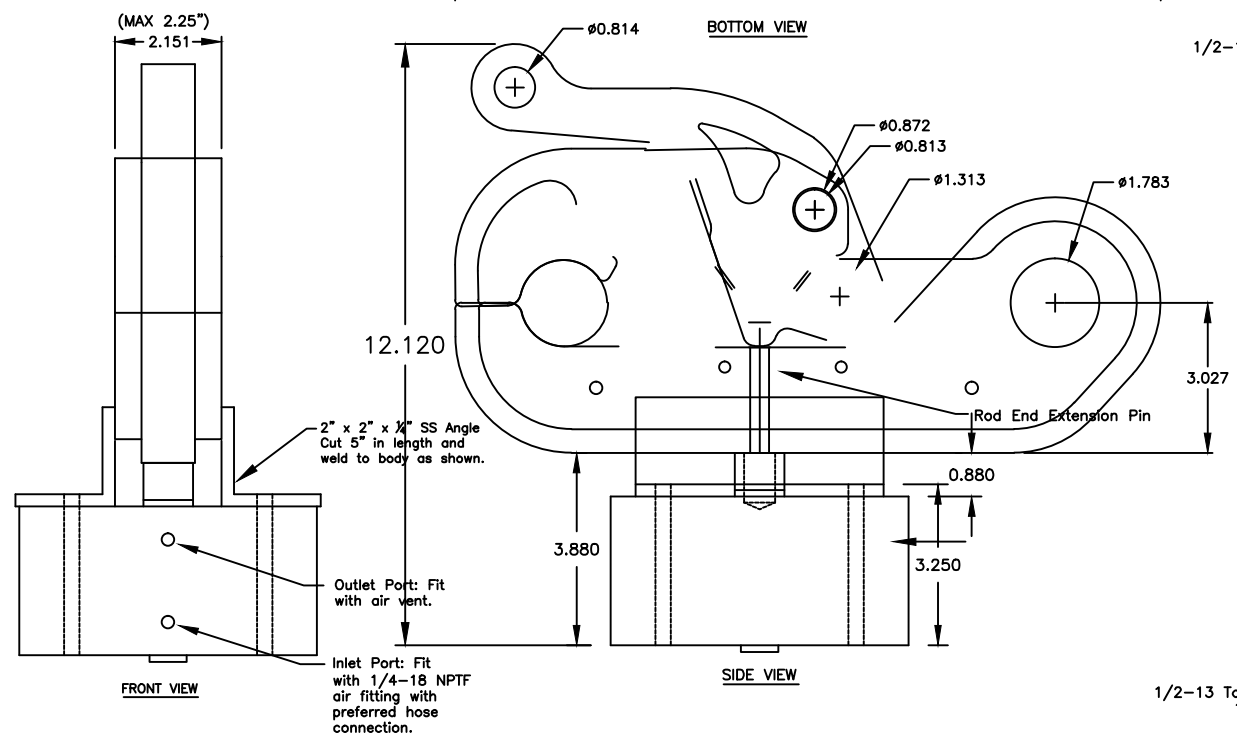


1/2-13 SS Socket Set Screw (MC#92311A706)
Hex Key (MC#7122A49) cut to length

Rod End Extension Pin



NASON Air Cylinder P/N LE 127x20-MT-EM-PE (with 1/4-18 NPTF ports)*
100 PSI = 1960# Thrust
Stroke: 3/4"
AIR VOLUME: 15.43 cu in

Unit Breakload: 82.15 tons
Unit SWL: 16.43 tons
Unit Weight: 45 lbs
Recommended connecting shackle size (each end): 1-1/2"
Material: 15-5 PH Stainless Plate in 1-1/2" and 5/8" nominal thickness

Mounting Bolts: 5/16"-18 X 4" SS Hex Hd. Cap Screw McM-Carr #92198A699 (4 each)
Mounting Locknuts: 5/16"-18 SS Hex Hd. Nut with Nylon Insert McM-Carr #91831A030 (4 each)

CONFIDENTIAL: THIS DESCRIPTION OR DRAWING CONTAINS PROPRIETARY INFORMATION OF JOHN MCMILLAN AND IS LOANED FOR USE ONLY IN EVALUATING OR BUILDING AN INVENTION OF JOHN MCMILLAN AND MUST BE RETURNED UPON DEMAND. BY ACCEPTANCE HEREOF, RECIPIENT AGREES TO ALL OF THE ABOVE CONDITIONS. © 2005 JOHN MCMILLAN 9816 JACOBSEN LANE, GIG HARBOR, WA 98332

McMillan
DESIGN, INC.
9816 Jacobsen Lane
Gig Harbor, WA 98332 USA
Tel (253) 858-1985
Fax (253) 858-1986
Email: jmcmillan@seacatch.com

Sea Catch TR12AIR

SCALE: NTS	DRAWN BY JHM
DATE: 10-08-98	REVISED: 04-12-05
DRAWING NO. 041205A	