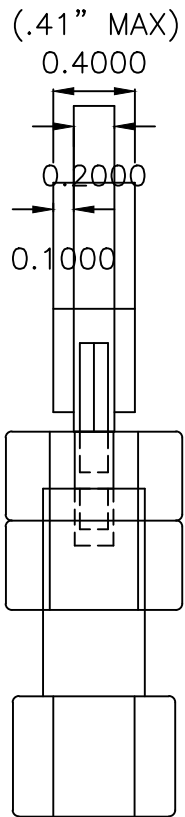
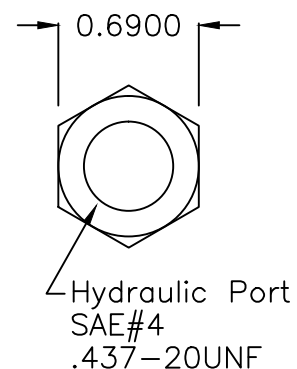
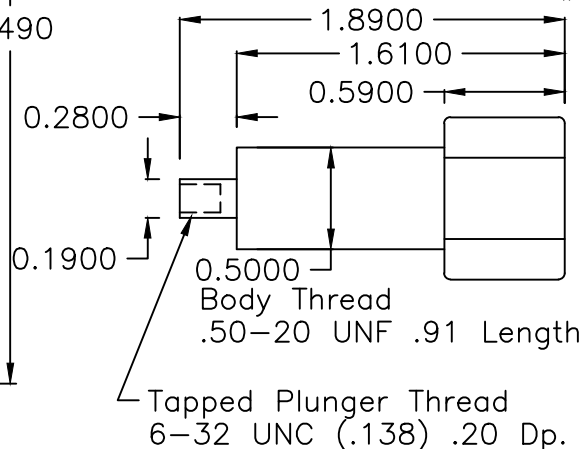
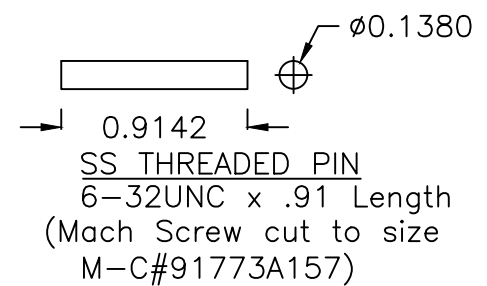
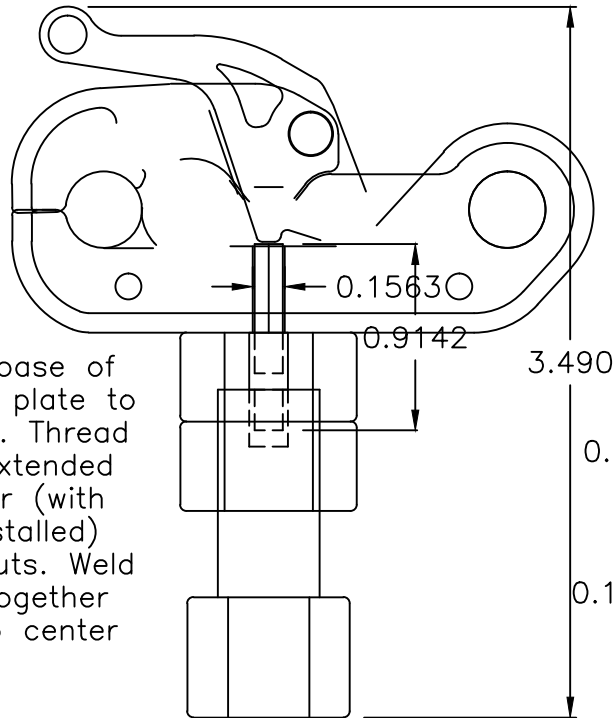


SS HEX NUT
 .50-20UNF
 2 Req'd (M-C#91845A1450)



Grind base of center plate to square. Thread fully extended cylinder (with pin installed) into nuts. Weld nuts together and to center plate.



SPECS:
 MATERIALS: 15-5PH STAINLESS PLATE
 UNIT WT: .5 LBS
 RECOMMENDED SHACKLE: SIZE 1/4" EACH END
 BREAKLOAD: 6,510 LBS
 SWL: 1,302 LBS

ENERPAC CST271 Hydraulic Cylinder
 Thrust = 380# @ 5,000 psi
 OIL CAPACITY: .02 cu in

Sea Catch TR3RAM

CONFIDENTIAL: THIS DESCRIPTION OR DRAWING CONTAINS PROPRIETARY INFORMATION OF JOHN MCMILLAN AND IS LOANED FOR USE ONLY IN EVALUATING OR BUILDING AN INVENTION OF JOHN MCMILLAN AND MUST BE RETURNED UPON DEMAND. BY ACCEPTANCE HEREOF, RECIPIENT AGREES TO ALL OF THE ABOVE CONDITIONS. © 2015 JOHN MCMILLAN 9816 JACOBSEN LANE, GIG HARBOR, WA 98332

McMillan DESIGN, INC.
 9816 Jacobsen Lane
 Gig Harbor, WA 98332
 Tel: 253-858-1985
 Fax: 253-858-1986
 Email: jmcmillan@seacatch.com
 Website: www.seacatch.com

Sea Catch TR3RAM Assembly

SCALE: NTS	DRAWN BY JHM	
DATE:	REVISED: 12-03-99	
© 2015 JOHN MCMILLAN		DRAWING NO. 120399A