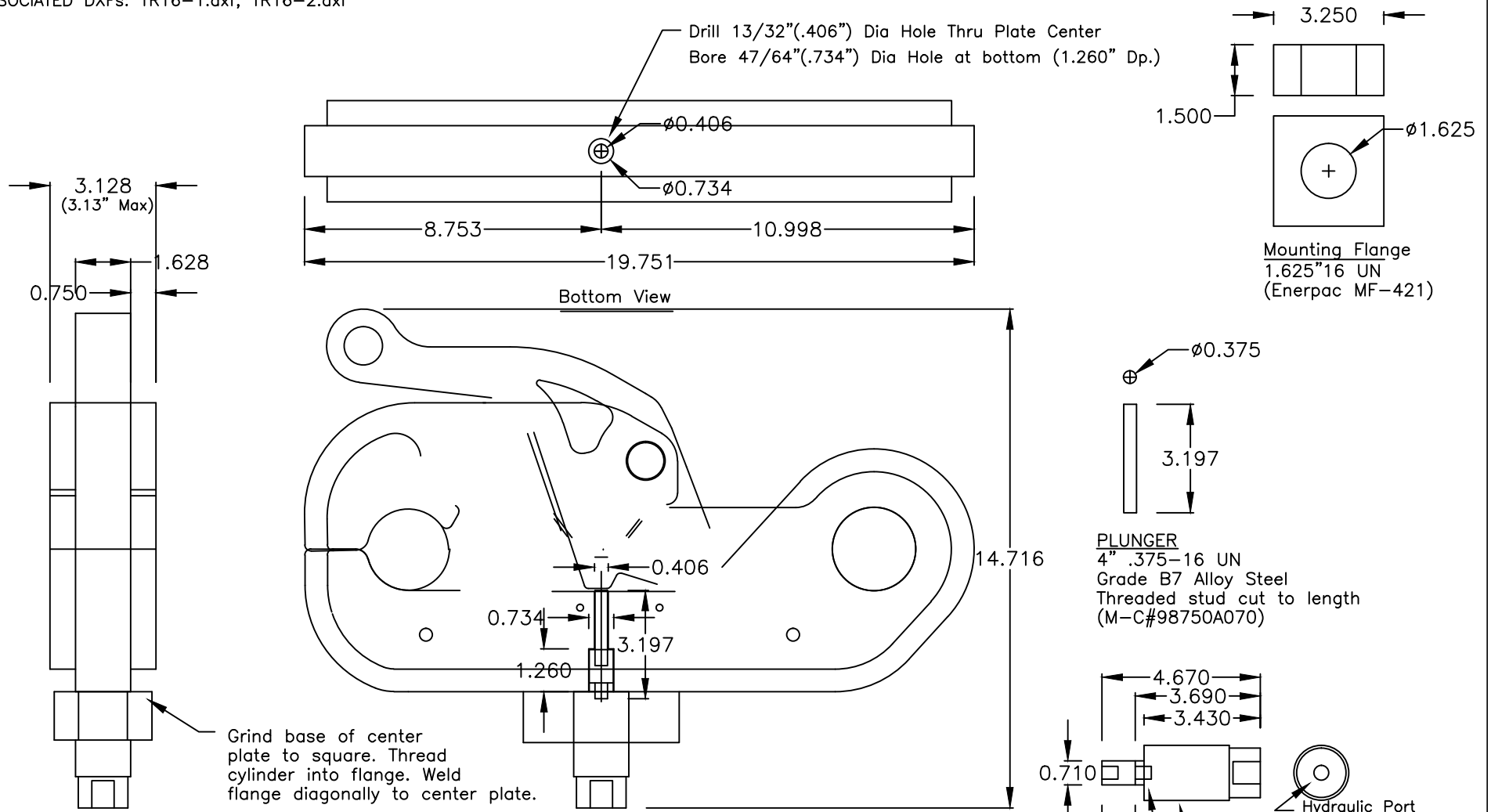


ASSOCIATED DXFs: TR16-1.dxf, TR16-2.dxf



Sea Catch TR16RAM
Side View

ENERPAC CST27251 Hydraulic Cylinder
Thrust: 6,110# at 5,000 PSI
Stroke: .98"
OIL CAPACITY: 1.19 cu in

SPECS:
MATERIAL: 15-5PH STAINLESS PLATE
UNIT WT: 108 LBS.
RECOMMENDED SHACKLE: SIZE 2'
BREAKLOAD: 158.54 TONS
SWL: 31.69 TONS

McMillan
DESIGN, INC.

9816 Jacobsen Lane
Gig Harbor, WA 98332
Tel: 253-858-1985
Fax: 253-858-1986
Email: jmcmillan@seacatch.com

Sea Catch TR16RAM

SCALE: NTS	DRAWN BY JHM
DATE: 03-31-99	REVISED: 05-15-07
© 2007 JOHN McMILLAN	DRAWING NO. 111400A

CONFIDENTIAL: THIS DESCRIPTION OR DRAWING CONTAINS PROPRIETARY INFORMATION OF JOHN MCMILLAN AND IS LOANED FOR USE ONLY IN EVALUATING OR BUILDING AN INVENTION OF JOHN MCMILLAN AND MUST BE RETURNED UPON DEMAND. BY ACCEPTANCE HEREOF, RECIPIENT AGREES TO ALL OF THE ABOVE CONDITIONS. © 2007 JOHN MCMILLAN 9816 JACOBSEN LANE, GIG HARBOR, WA 98332