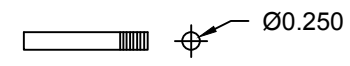
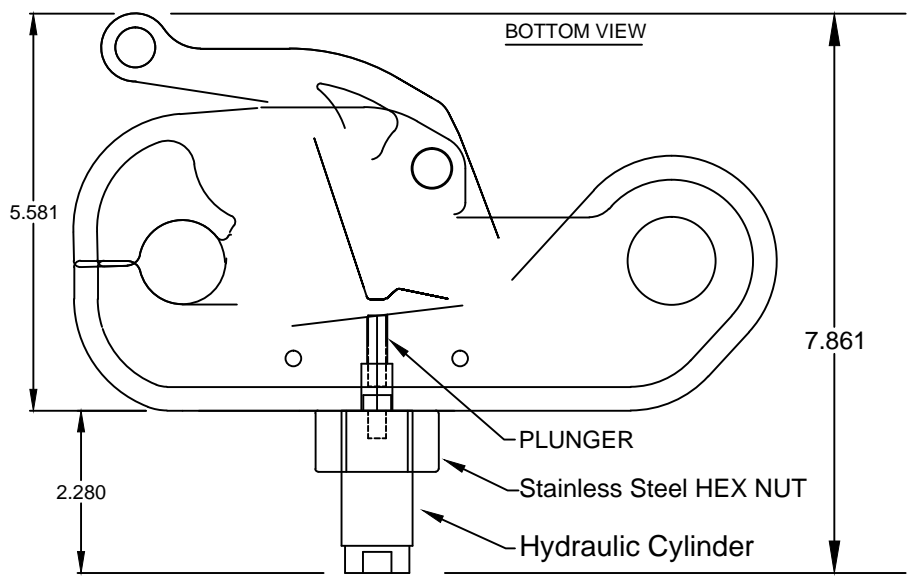
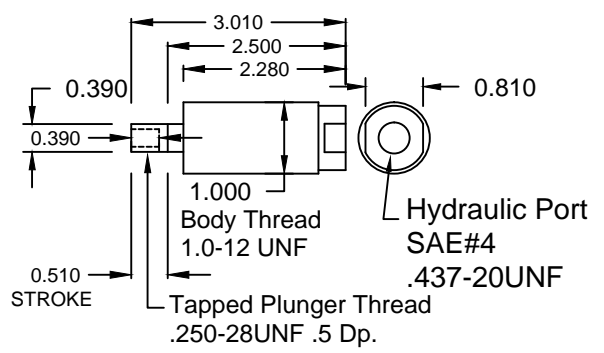


Stainless Steel HEX NUT
 1.0-12UNF
 (Tacoma Screw)



PLUNGER
 .250-28UNF x 1.75" Length
 Gr8 High Strength Hex Hd Cap Screw
 (M-C#91257A567)
 Cut off head.



Grind base of centerplate to square. Position cylinder as shown and weld nut to base of centerplate.

ASSEMBLY END VIEW

SEA CATCH TR10RAM ASSEMBLY

SPECS:
 MATERIAL: 15-5PH STAINLESS PLATE
 UNIT WT: 13 LBS
 RECOMMENDED SHACKLE: SIZE 1" EACH END
 BREAKLOAD: 79,222 LBS
 SWL: 15,844 LBS

ENERPAC CST9131 Single-Acting Hydraulic Cylinder

Thrust = 1950 lbs @ 5,000 psi
 OIL CAPACITY: .20 cu in



9816 Jacobsen Lane
 Gig Harbor, WA 98332
 Tel: 253-858-1985
 Fax: 253-858-1986
 Email: jmcmillan@seacatch.com
 Website: www.seacatch.com

Sea Catch TR10RAM

SCALE: NTS		DRAWN BY JHM
DATE: 12-15-98	REVISED: 05/30/12	
© 2012 JOHN McMILLAN		DRAWING NO. 070202A

CONFIDENTIAL: THIS DESCRIPTION OR DRAWING CONTAINS PROPRIETARY INFORMATION OF JOHN McMILLAN AND IS LOANED FOR USE ONLY IN EVALUATING OR BUILDING AN INVENTION OF JOHN McMILLAN AND MUST BE RETURNED UPON DEMAND. BY ACCEPTANCE HEREOF, RECIPIENT AGREES TO ALL OF THE ABOVE CONDITIONS. ©2012 JOHN McMILLAN 9816 JACOBSEN LANE, GIG HARBOR, WA 98332