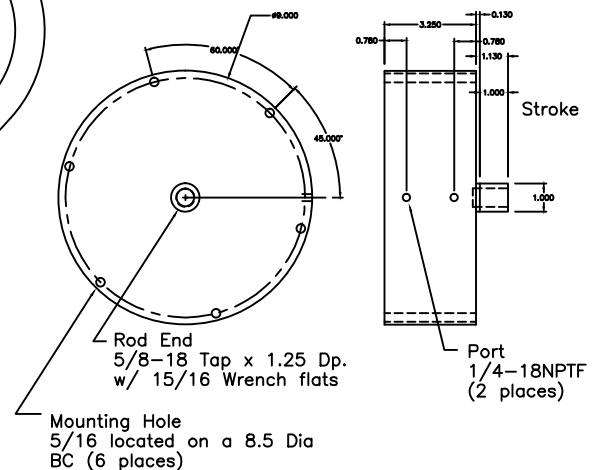
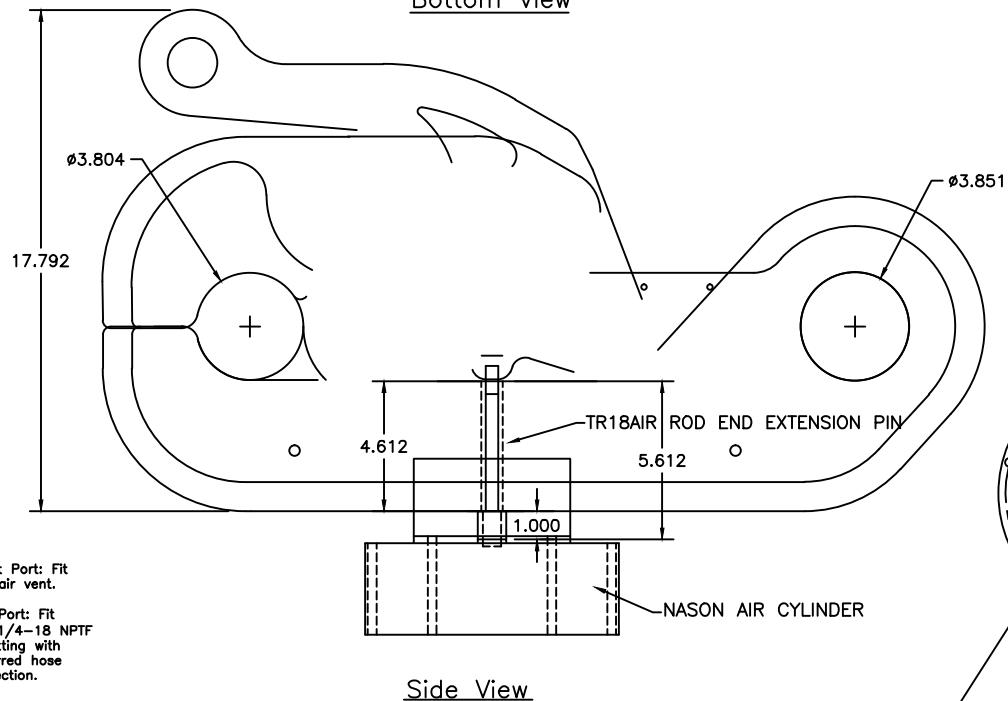
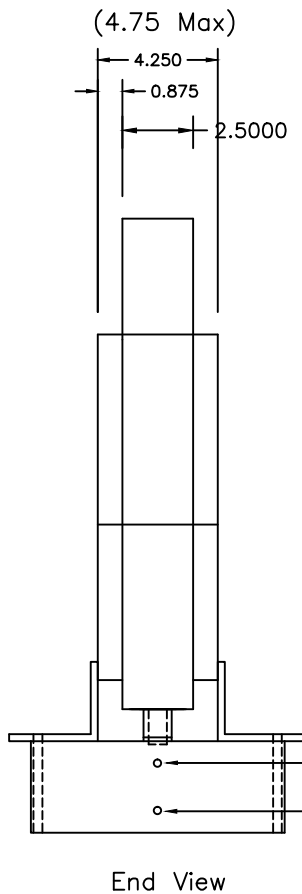


Rod End Extension Pin
 5/16 x 6-1/8" Long Arm Hex
 L-Key M-C#7122A51 cut to length
 5/8-18 x 7/8" Set Screw M-C#91375A813



NASON Air Cylinder P/N CS-80x100MT-4N*
 Thrust: 5030 lbs @ 100 PSI
 Stroke: 1 inch
 AIR VOLUME: 50 CU IN *or all-stainless: CS-10291

Sea Catch TR18AIR Rev D

SPECS:
 MATERIAL: 15-5PH STAINLESS PLATE
 UNIT WT: 360 LBS
 RECOMMENDED SHACKLE EACH END: SIZE 3"
 BREAKLOAD: 771,183 LBS
 SWL: 154,236 LBS

Mounting Bolts: 4 @ 5/16"-18 x 4" SS Hex Hd Cap Screw M-C#92198A699
 Nuts: 4 @ 5/16"-18 SS Hex Nylon Insert Locknuts M-C#91831A030

McMillan
DESIGN, INC.
 9816 Jacobsen Lane
 Gig Harbor, WA 98332 USA
 Tel (253) 858-1985
 Fax (253) 858-1986
 Email: jmcmillan@seacatch.com

Sea Catch TR18AIR Rev D

SCALE: NTS

DRAWN BY JHM

DATE: 8-18-98

REVISED: 08-27-10

© 2010 JOHN McMILLAN

DRAWING NO. 082710A

CONFIDENTIAL: THIS DESCRIPTION OR DRAWING CONTAINS PROPRIETARY INFORMATION OF JOHN McMILLAN AND IS LOANED FOR USE ONLY IN EVALUATING OR BUILDING AN INVENTION OF JOHN McMILLAN AND MUST BE RETURNED UPON DEMAND. BY ACCEPTANCE HEREOF, RECIPIENT AGREES TO ALL OF THE ABOVE CONDITIONS. © 2010 JOHN McMILLAN 9816 JACOBSEN LANE, GIG HARBOR, WA 98332