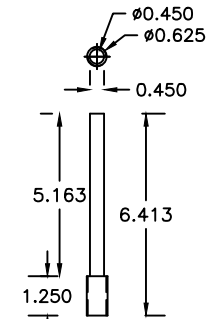
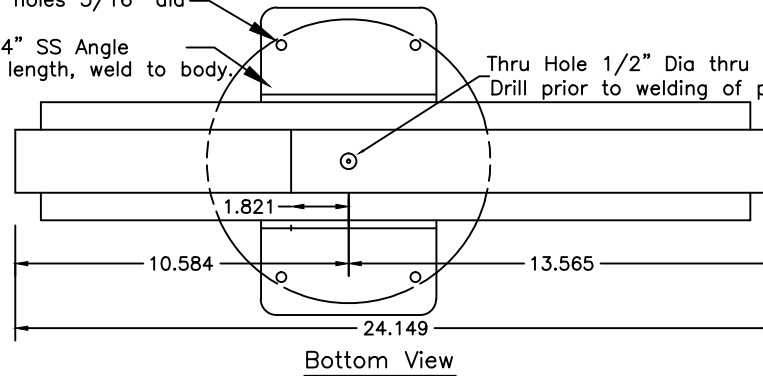
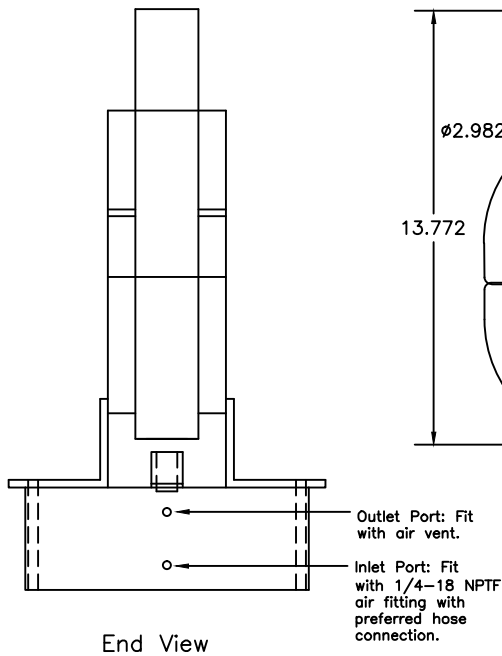
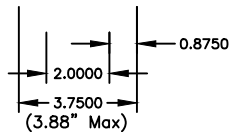


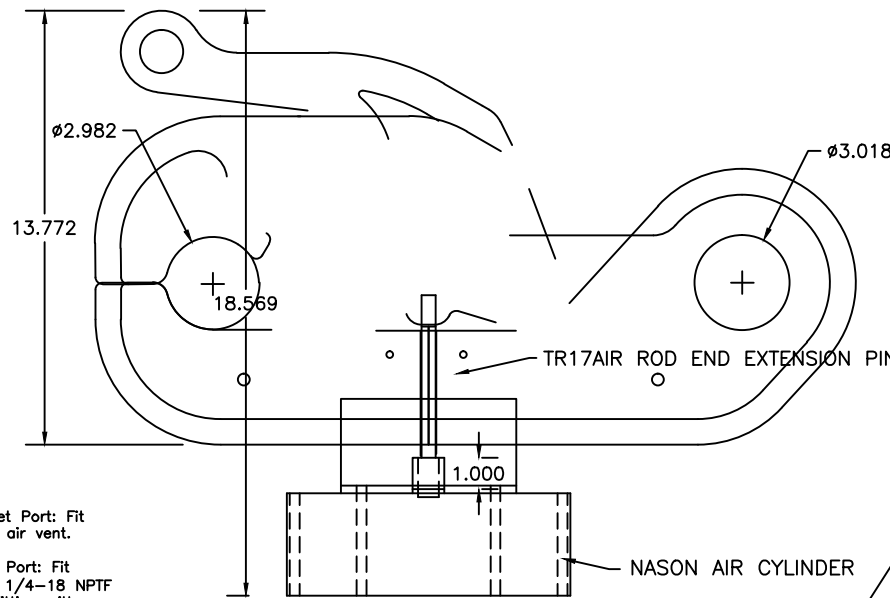
Drill 4 holes 5/16" dia  
 3"x3"x1/4" SS Angle cut 5.5" length, weld to body.  
 Thru Hole 1/2" Dia thru plate center.  
 Drill prior to welding of plates.



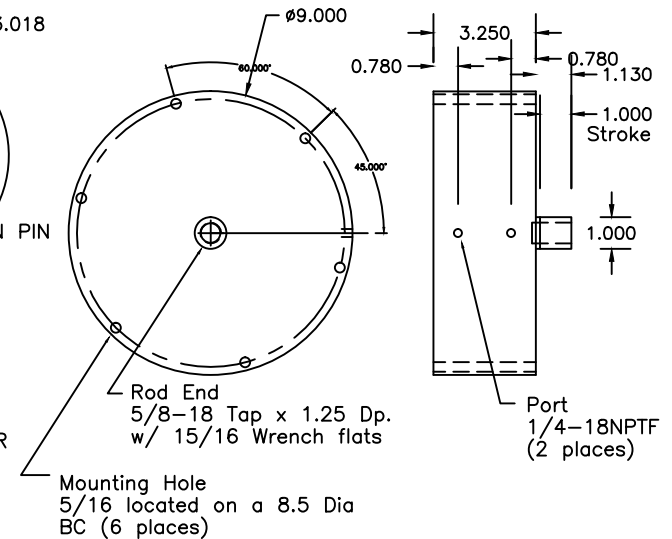
**Rod End Extension Pin**  
 5/8-18 x 7"  
 Grade 8 Cap Screw  
 M-C#91257A835  
 cut to length and  
 turned as shown.



End View



Sea Catch TR17AIR ASSEMBLY  
 Side View



**NASON Air Cylinder P/N CS-80x100MT-4N**  
 Thrust: 5030 lbs @ 100 PSI  
 Stroke: 1 inch  
 AIR VOLUME: 50 CU IN

**SPECS:**  
 MATERIAL: 15-5PH STAINLESS PLATE  
 UNIT WT: 118 LBS  
 RECOMMENDED SHACKLE EACH END: SIZE 2-1/2"  
 BREAKLOAD: 473,723 LBS  
 SWL: 94,744 LBS

Mounting Bolts: 4 @ 5/16"-18 x 4" SS Hex Hd Cap Screw M-C#92198A699  
 Nuts: 4 @ 5/16"-18 SS Hex Nylon Insert Locknuts M-C#91831A030

**McMillan DESIGN, INC.**

9816 Jacobsen Lane  
 Gig Harbor, WA 98332  
 Tel: 253-858-1985  
 Fax: 253-858-1986  
 Email: jmcmillan@seacatch.com  
 Website: www.seacatch.com

# Sea Catch TR17AIR

SCALE: NTS

DRAWN BY JHM

DATE:

REVISED: 06/29/01

© 2007 JOHN McMILLAN

DRAWING NO. 111903A

CONFIDENTIAL: THIS DESCRIPTION OR DRAWING CONTAINS PROPRIETARY INFORMATION OF JOHN MCMILLAN AND IS LOANED FOR USE ONLY IN EVALUATING OR BUILDING AN INVENTION OF JOHN MCMILLAN AND MUST BE RETURNED UPON DEMAND. BY ACCEPTANCE HEREOF, RECIPIENT AGREES TO ALL OF THE ABOVE CONDITIONS. © 2007 JOHN MCMILLAN 9816 JACOBSEN LANE, GIG HARBOR, WA 98332