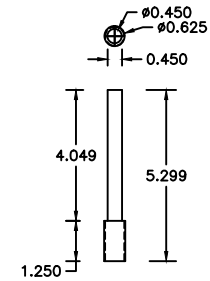
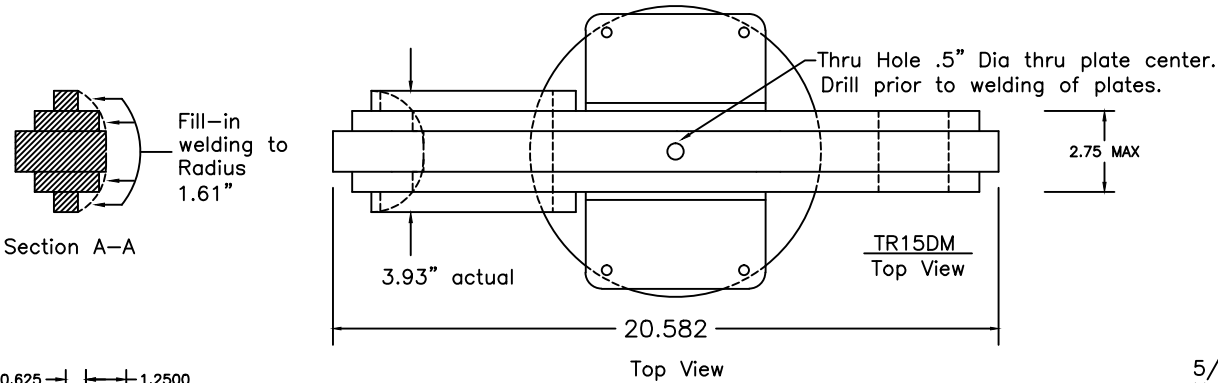


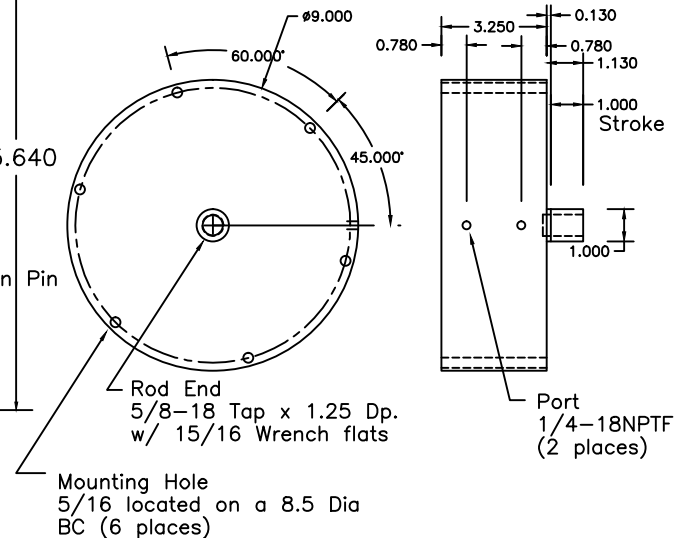
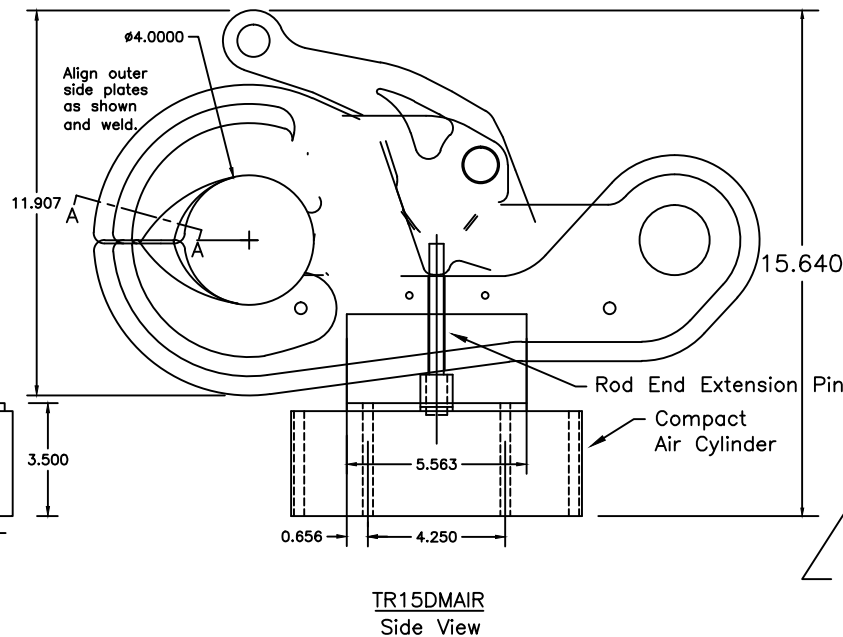
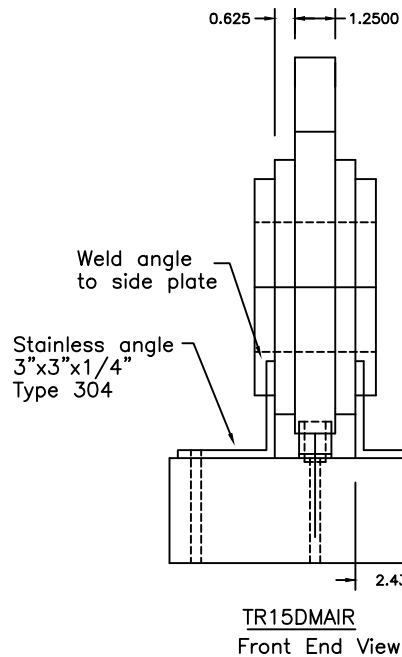
Associated DXFs:

TR15DM-1.dxf - 1-1/4" plate

TR15DM-2.dxf - 5/8" plate



Rod End Extension Pin
5/8-18 Socket Set Screw (MC#91375A813)
Hex Key (MC#7122A51) cut to length



NASON Air Cylinder P/N CS-80x100MT-4N*
Thrust: 5030 lbs @ 100 PSI
Stroke: 1 inch
AIR VOLUME: 50 cu in

*MAY BE REPLACED BY CS-102191

SPECS:

MATERIAL: 15-5PH STAINLESS PLATE

UNIT WT: 85 LBS

RECOMMENDED SHACKLE (REAR END): SIZE 1-3/4"

OPEN JAW OPENING: 3.3"

BREAKLOAD: 125.5 TONS

SWL: 25.1 TONS

Material: 15-5 PH
Stainless Plate in
1-1/4" and 5/8"
nominal thickness.
No grinding req'd.

Mounting Bolts: 4 @ 5/16"-18 x 4" SS Hex Hd Cap Screw M-C#92198A699
Nuts: 4 @ 5/16"-18 SS Hex Nylon Insert Locknuts M-C#91831A030

**McMillan
DESIGN, INC.**

9816 Jacobsen Lane
Gig Harbor, WA 98332

Tel: 253-858-1985
Fax: 253-858-1986

Email: jmcmillan@seacatch.com
Website: www.seacatch.com

TR15DMAIR

SCALE: NTS

DRAWN BY JHM

REVISED: 04/12/02

© 2002 JOHN McMILLAN

DRAWING NO. 041202A

CONFIDENTIAL: THIS DESCRIPTION OR DRAWING CONTAINS PROPRIETARY INFORMATION OF JOHN MCMILLAN AND IS LOANED FOR USE ONLY IN EVALUATING OR BUILDING AN INVENTION OF JOHN MCMILLAN AND MUST BE RETURNED UPON DEMAND. BY ACCEPTANCE HEREOF, RECIPIENT AGREES TO ALL OF THE ABOVE CONDITIONS. © 2002 JOHN MCMILLAN 9816 JACOBSEN LANE, GIG HARBOR, WA 98332