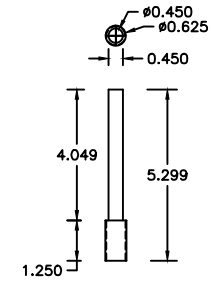
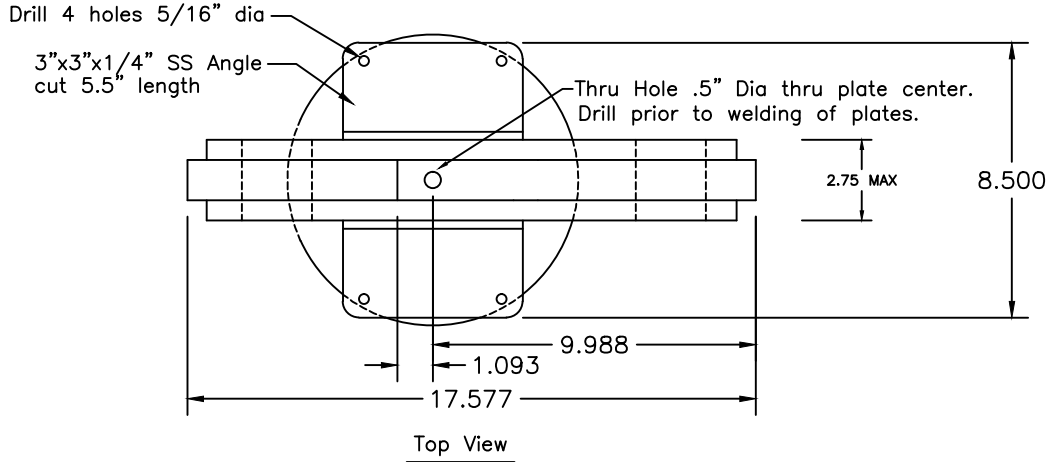
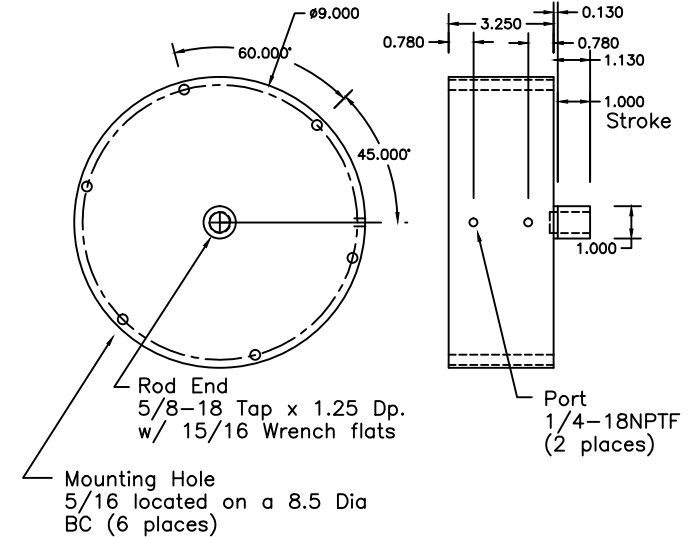
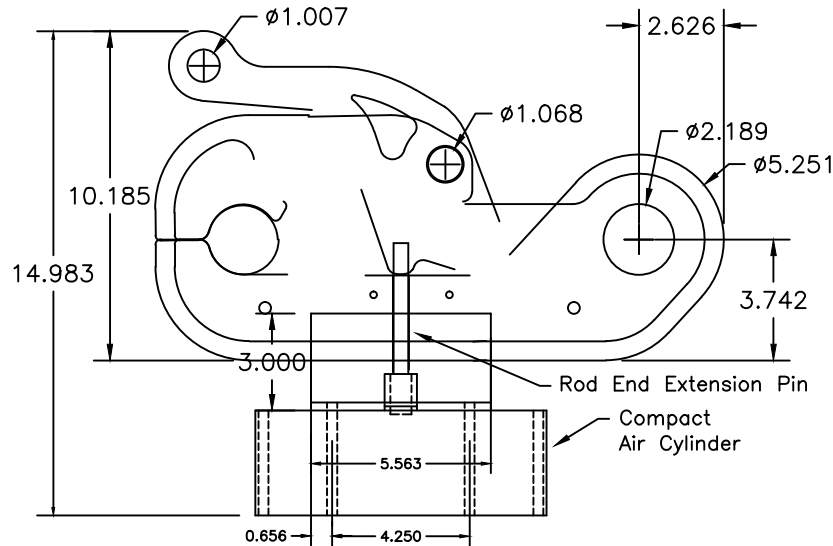
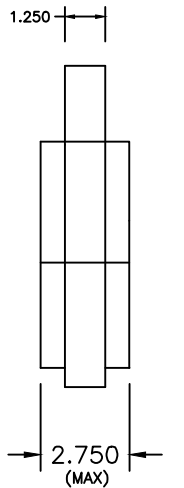


Associated DWGs:
 TR15C-1.dwg - 1-1/4" plate
 TR15C-2.dwg - 5/8" plate



Rod End Extension Pin
 5/8-18 Socket Set Screw (MC#91375A813)
 Hex Key (MC#7122A51) cut to length



SPECS:
 MATERIAL: 15-5PH STAINLESS PLATE
 UNIT WT: 75 LBS
 RECOMMENDED SHACKLE EACH END: SIZE 3/4"
 BREAKLOAD: 125.5 TONS
 SWL: 25.1 TONS

Material: 15-5 PH
 Stainless Plate in
 1-1/4" and 5/8"
 nominal thickness.
 No grinding req'd.

NASON Air Cylinder P/N CS-80x100MT-4N*
 Thrust: 5030 lbs @ 100 PSI
 Stroke: 1 inch
 AIR VOLUME: 50 cu in

*MAY BE REPLACED BY CS-102191

Mounting Bolts: 4 @ 5/16"-18 x 4.5" SS Hex Hd Cap Screw M-C#92198A700
 Nuts: 4 @ 5/16"-18 SS Hex Nylon Insert Locknuts M-C#91831A030

**McMillan
 DESIGN, INC**

9816 Jacobsen Lane
 Gig Harbor, WA 98332
 Tel: 253-858-1985
 Fax: 253-858-1986
 Email: jmcmillan@seacatch.com
 Website: www.seacatch.com

TR15AIR

TR15_Rev_C

SCALE: NTS

DRAWN BY JHM

REVISED: 05/9/03

© 2005 JOHN McMILLAN

DRAWING NO. 050903A

CONFIDENTIAL: THIS DESCRIPTION OR DRAWING CONTAINS PROPRIETARY INFORMATION OF JOHN MCMILLAN AND IS LOANED FOR USE ONLY IN EVALUATING OR BUILDING AN INVENTION OF JOHN MCMILLAN AND MUST BE RETURNED UPON DEMAND. BY ACCEPTANCE HEREOF, RECIPIENT AGREES TO ALL OF THE ABOVE CONDITIONS. © 2005 JOHN MCMILLAN 9816 JACOBSEN LANE, GIG HARBOR, WA 98332