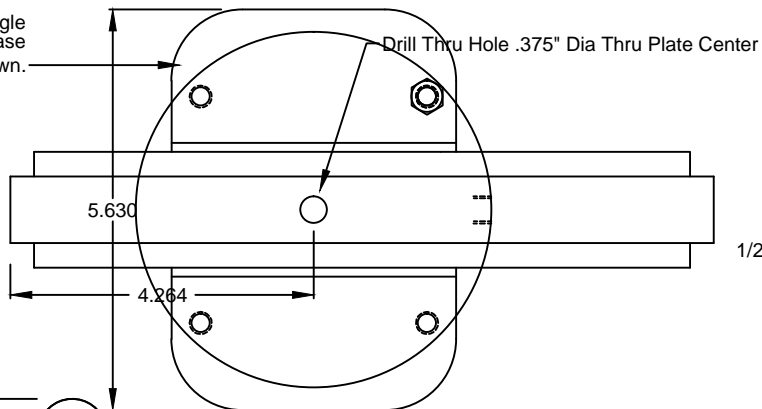
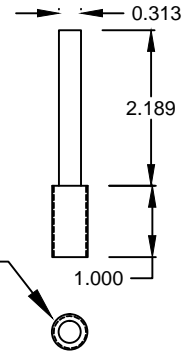


2" X 2" X 1/8" 304SS Angle
x 4" length welded to SC base
and fitted as shown.

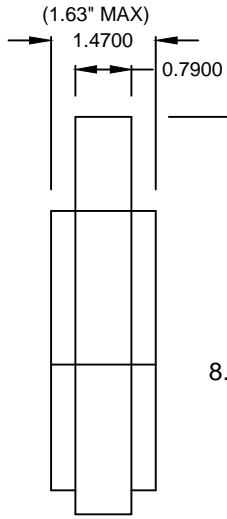


BOTTOM VIEW

1/2-13 SS Socket Set Screw (MC#92311A706)
Hex Key (MC#7122A49) cut to length

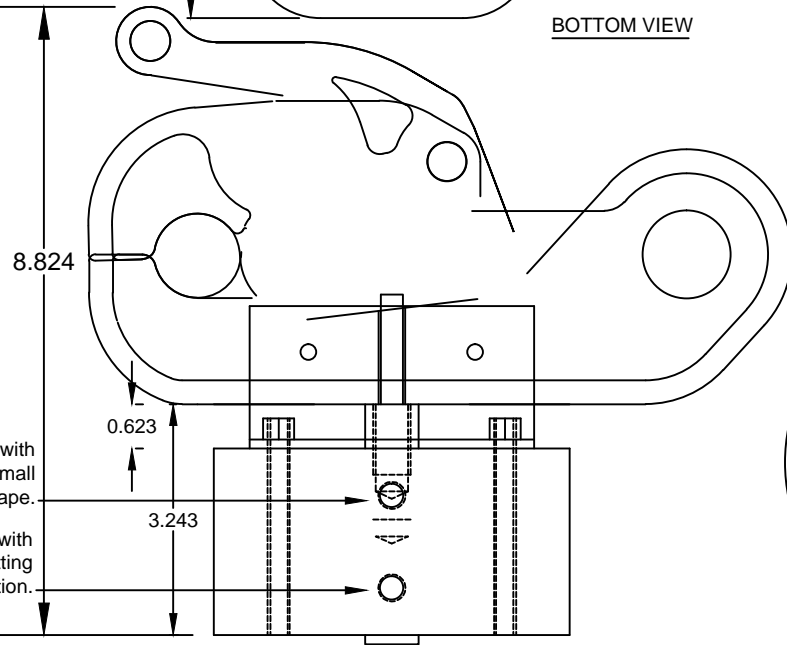


Rod End Extension Pin

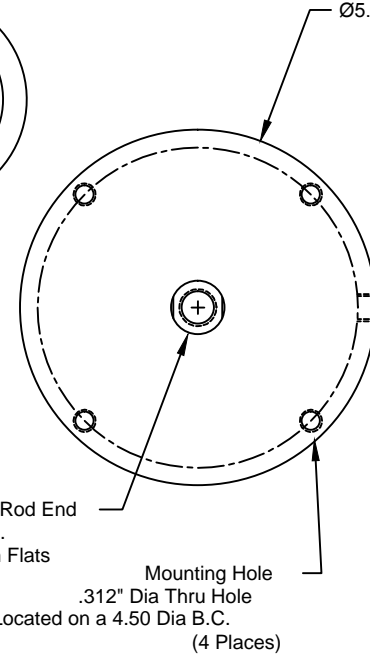


END VIEW

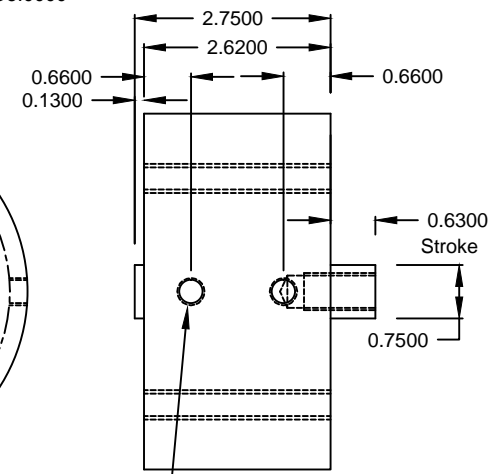
Outlet Port: To be fitted with
plastic cap drilled with small
hole to allow air escape.
Inlet Port: To be fitted with
1/8-27 NPTF air fitting
with preferred hose connection.



1/2-13 Tap x 1.00 (Min) Dp.
11/16 Wrench Flats



Rod End
Mounting Hole
.312" Dia Thru Hole
Located on a 4.50 Dia B.C.
(4 Places)



NASON Air Cylinder P/N CH-40x050MT *
100 PSI = 1260# Thrust
AIR VOLUME: 3.54 cu in
*or COMPACT Air Cylinder P/N RFH4x1/2 TM

SPECS:
MATERIAL: 15-5PH STAINLESS PLATE
UNIT WT: 13 LBS
RECOMMENDED SHACKLE: SIZE 1" EACH END
BREAKLOAD: 79,222 LBS
SWL: 15,844 LBS

SEA CATCH TR10AIR ASSEMBLY

**McMillan
DESIGN, INC.**

9816 Jacobsen Lane
Gig Harbor, WA 98332
Tel: 253-858-1985
Fax: 253-858-1986
Email: jmcmillan@seacatch.com
Website: www.seacatch.com

Sea Catch TR10AIR

SCALE: NTS	DRAWN BY JHM
DATE: 12-15-98	REVISED: 02/14/06
© 2005 JOHN McMILLAN	DRAWING NO. 112304A

Mounting Bolts: 4@ 5/16-18 x 3.5" 18-8 SS Rnd Hd Phillips, M-C #91773A597
Mounting Nuts: 4@ 5/16-18 18-8SS Hex Nylon Insert Locknut M-C #91831A030

CONFIDENTIAL: THIS DESCRIPTION OR DRAWING CONTAINS PROPRIETARY INFORMATION OF JOHN MCMILLAN AND IS LOANED FOR USE ONLY IN EVALUATING OR BUILDING AN INVENTION OF JOHN MCMILLAN AND MUST BE RETURNED UPON DEMAND. BY ACCEPTANCE HEREOF, RECIPIENT AGREES TO ALL OF THE ABOVE CONDITIONS. ©2005 JOHN MCMILLAN 9816 JACOBSEN LANE, GIG HARBOR, WA 98332