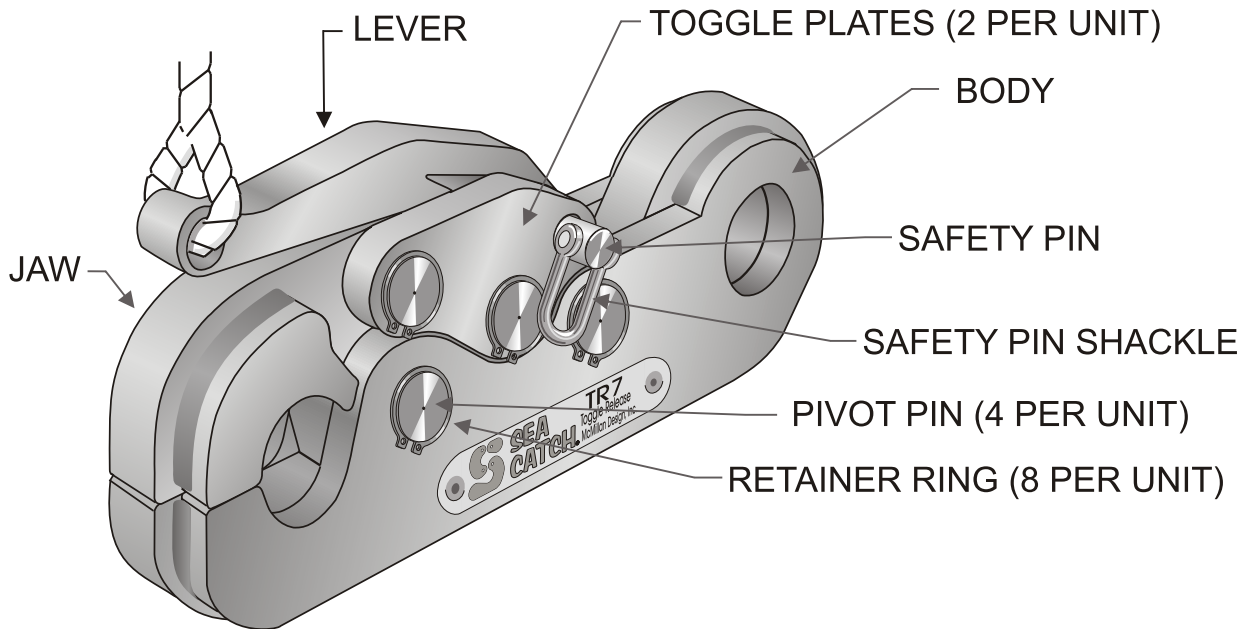


Sea Catch Parts List



MODEL	P A R T N U M B E R *			
	SAFETY PIN	SAFETY PIN SHACKLE	PIVOT PIN	RETAINER RING
TR3	3/16"x.5"McM-Carr#98404A005	-	TR3 Pivot Pin	1/4"McM-Carr#91590A113
TR5	1/4"x.7"McM-Carr#98404A127	-	TR5 Pivot Pin	3/8"McM-Carr#91590A117
TR7	3/8"x1.1"McM-Carr#98404A371	5/32#147103	TR7 Pivot Pin	9/16"McM-Carr#91590A124
TR8	3/8"x1.3"McM-Carr#98404A373	5/32#147103	TR8 Pivot Pin	11/16"McM-Carr#91590A127
TR10	1/2"x1.7"McM-Carr#98404A497	3/16#147104	TR10 Pivot Pin	7/8"McM-Carr#91590A131
TR11	5/8"x2.5"McM-Carr#98404A625	5/16#147108	TR11 Pivot Pin	1-3/16"McM-Carr#91590A138
TR12	3/4"x2.5"McM-Carr#98404A745	5/16#147108	TR12 Pivot Pin	1-5/16"McM-Carr#91590A250
TR15	1"x3"McM-Carr#98404A870	3/8#147110	TR15 Pivot Pin	1-1/2"McM-Carr#91590A139
TR16	1"x3.5"McM-Carr#98404A869	3/8#147110	TR16 Pivot Pin	1-3/4"McM-Carr#91590A141
TR17	1"x4"McM-Carr#98404A872	3/8#147110	TR17 Pivot Pin	2"McM-Carr#91590A152
TR18	1"x4.8"McM-Carr#98404A873	3/8#147110	TR18 Pivot Pin	TR18 Retainer Ring
TR19	1"x5"McM-Carr#98404A874	3/8#147110	TR18 Pivot Pin	TR19 Retainer Ring
TR20	1"x5.5"McM-Carr#98404A875	3/8#147110	TR20 Pivot Pin	TR20 Retainer Ring
TR21	1"x7"McM-Carr#98404A878	3/8#147110	TR21 Pivot Pin	TR21 Retainer Ring
TR22	1"x8"McM-Carr#98404A880	3/8#147110	TR22 Pivot Pin	TR22 Retainer Ring
	MCMaster-CARR (562) 692-5911 WWW.MCMaster.COM	SEA DOG (866)-732-3641 WWW.SEA-DOG.COM	MCMILLAN DESIGN (253)-858-1985 (Replacements subject to be ill-fitting.)	MCMaster-CARR (562) 692-5911 WWW.MCMaster.COM

*ALL OTHER PARTS ARE ORDERED BY MODEL NUMBER AND PART NAME.

All Safety Pins and most Retainer Rings can be ordered directly from McMaster-Carr or from McMillan Design.

All Safety Pin Shackles can be ordered directly from Sea Dog or from McMillan Design.

McMillan
DESIGN, INC.
9816 Jacobsen Lane, Gig Harbor, WA 98332 USA
Tel: 253-858-1985 Fax: 253-858-1986
Email: jmcmillan@seacatch.com
Web: www.seacatch.com